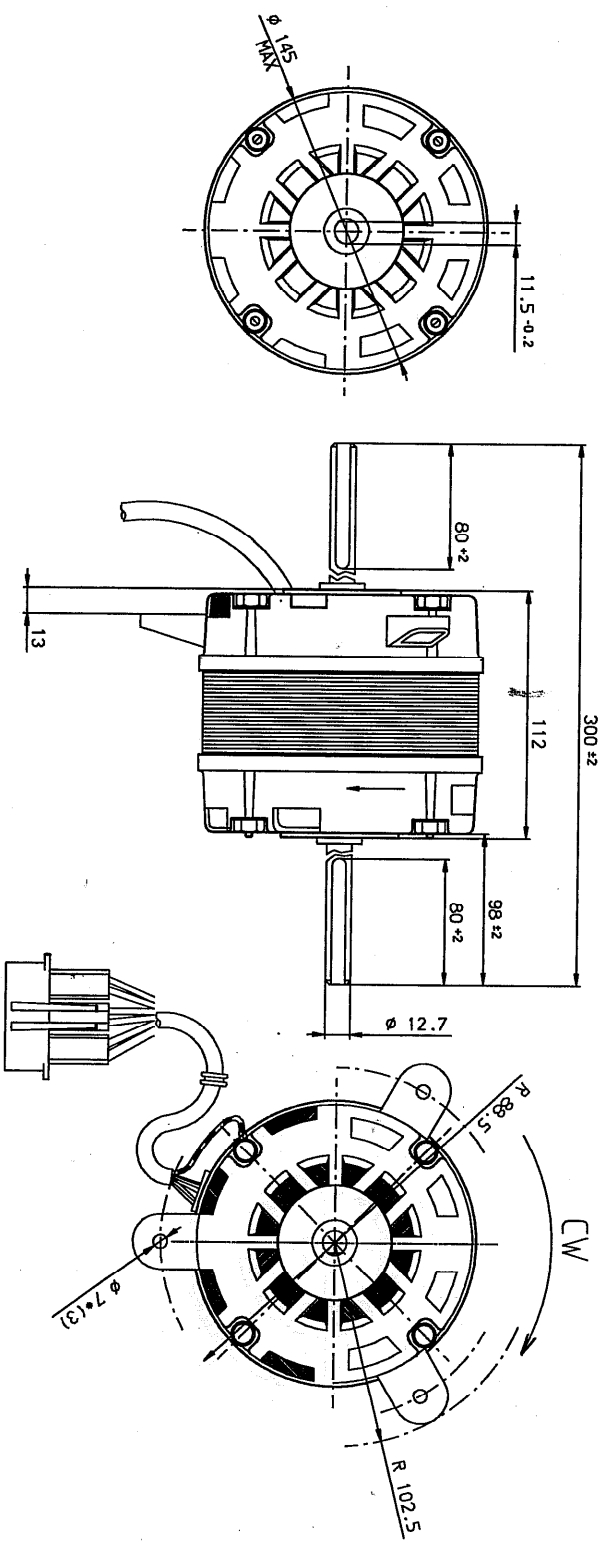


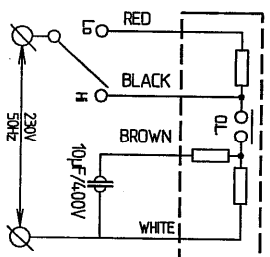
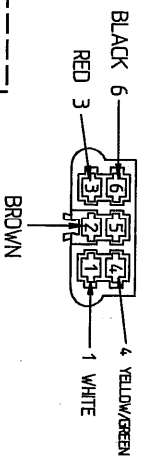
all dimensions in mm.



WIRE CAT#	1673361	LEV. WIRE	
DESCRIPTION	COLOR	LENGTH	WIRE ENDS
	YELLOW/GREEN	850±50	CONNECTOR-TAD 51201991100
	WHITE/BLACK	800±50	
	RED/BROWN	800±50	
9/2 PIG STERIE K05	BLACK	470-30	

print color: RED

TYPE 4.383361	TCL-25	DYNAR
PH 230V	50Hz	HP-1/3
CLB THPR	10UF/400V	DATE
RP#1180/930		



OLD: 31-281

DRWG NO. 4740		Motor assembly -TCL-25	
Drawn	EL	010703	Cat.No: 1313361
Approved			
Scale	1:2		
Gen. tolerance	±10		
File: E-GRV-38-36/VASSY	Vf: 3361		CAT No: 13233
			PRINT: 020703